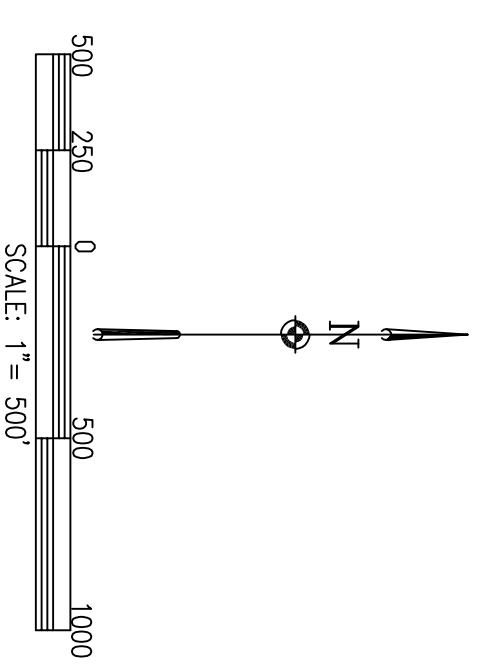
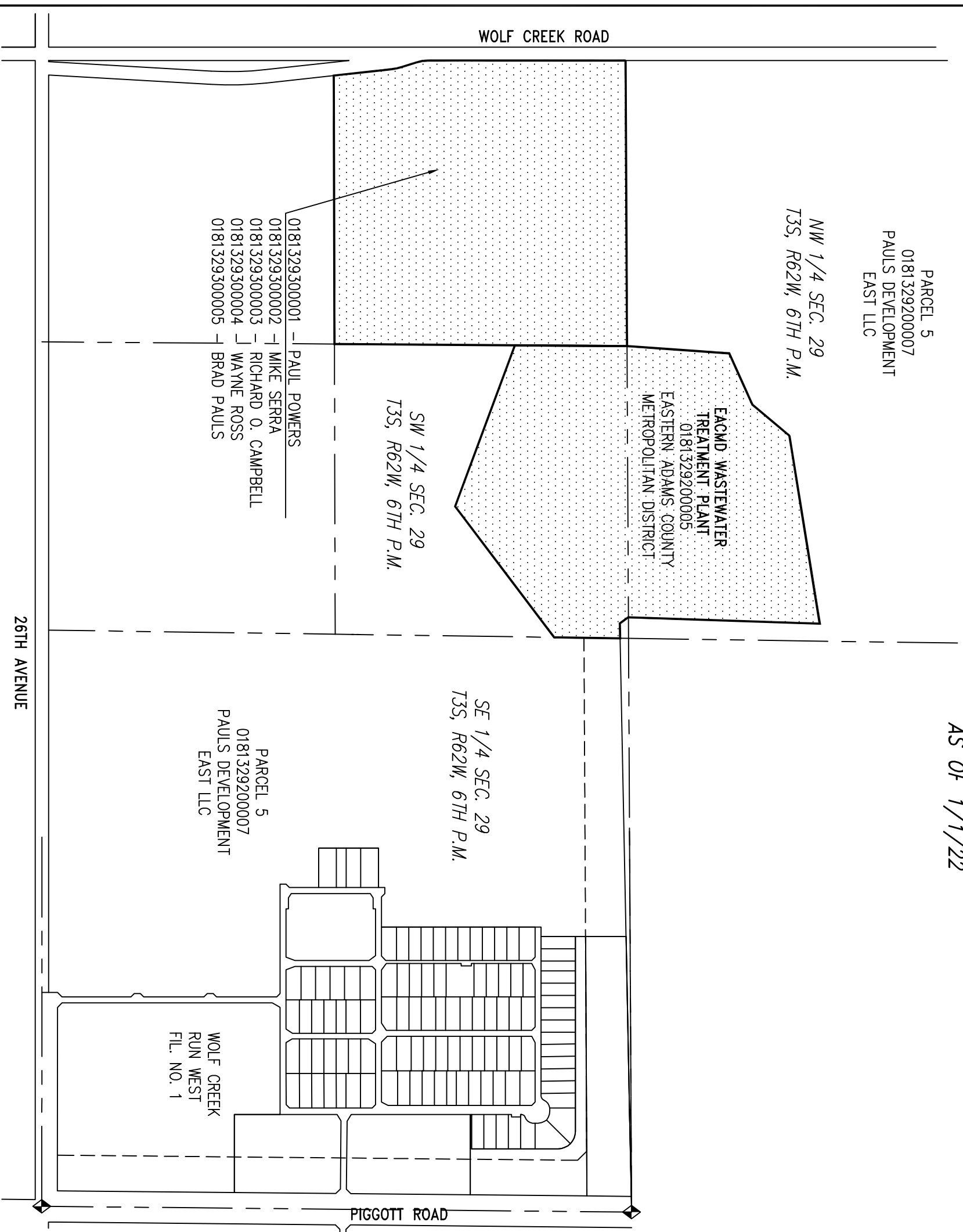


**EASTERN ADAMS COUNTY METROPOLITAN DISTRICT
ADAMS COUNTY
AS OF 1/1/22**



EASTERN ADAMS COUNTY
METROPOLITAN DISTRICT
BOUNDARY

**EASTERN ADAMS COUNTY METROPOLITAN DISTRICT
ADAMS COUNTY**

ORIGINAL BOUNDARY BY COURT ORDER - 8/1/2000		
PARCEL #1	18.82 AC.	
PARCEL #2	57.75 AC.	
PARCEL #3	315.84 AC.	
PARCEL #4	139.41 AC.	
PARCEL #5	461.51 AC.	
PARCEL #6	NOT IN	
ORDER & DECREE CREATING DISTRICT - 12/15/2000		993.33 AC.
EXCLUDED PARCEL #3		-315.84 AC.
COURT ORDER OF 10/30/2001		-18.82 AC.
EXCLUDED PARCELS #1 & #2		-56,2696 AC.
COURT ORDER OF 8/21/2003		-139.41 AC.
EXCLUDED PARCEL #4		
NET AS OF 8/21/03		462.9904 AC.
RICHARDSON BOUNDARY ADJUSTMENT - 7/30/2004		-5.3844 AC.
NET AS OF 1/15/2006		457.6060 AC.
COURT ORDER OF 5/7/06		-380.7256 AC.
EXCLUDED PORTION OF PARCEL #5		
NET AS OF 1/1/2022		76.8804 AC.